

MDB series



■ Features

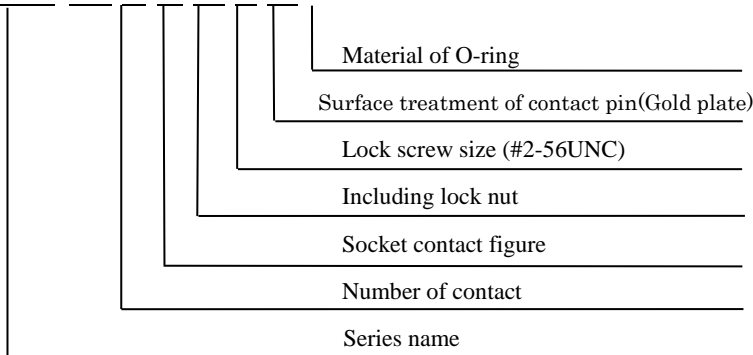
- Through bulkhead type Micro-D-sub Glass-sealed Hermetic Connector
- Can be used as current transmission terminal for vacuum vessels, pressure vessels, etc.
- Can mate with MIL-DTL-83513 Micro-D-sub plug connector
- Ultra-compact, high-density type with the contact pitch of 1.27 mm
- Superior airtight (1×10^{-9} Pa·m³/sec or less) with glass sealed

■ Structure and Surface treatment

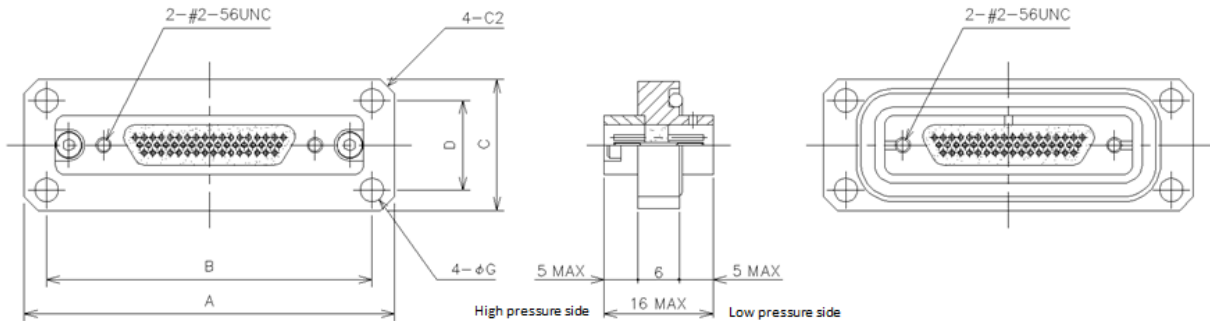
- Flange of shell is groove for O-ring
- Flange of shell is finished surface with nickel plating

■ Part number

MDB-37 S L U 2 Y



Y	Material of O-ring
1	Silicon
2	Nitrile
3	Fluorine
4	Others



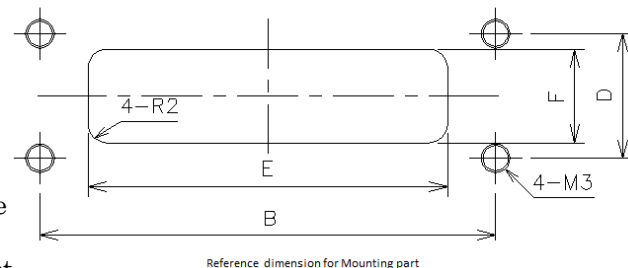
(Unit: mm)

Part number	No. of conductor	A	B	C	D	E	F	φG	O-ring size
MDB-37SLU2Y	37	55	49	17.5	11.5	38.8	8.8	3.4	S-31.5
MDB-51SLU2Y	51	54	47.5	19	13	37.5	9.8	3.4	S-31.5

[Specification]

- 1) Rated current: 1A(without include lapse rate)
- 2) Isolation resistance: 1000MΩ or over(at DC500V)
- 3) Dielectric Withstanding Voltage: AC500Vrms

- Please contact us for custom requirements such as material, mounting dimensions, shape, high pressure specifications, etc.
- Please note that the product specifications are subject to change without notice due to improvements, etc.



Reference dimension for Mounting part

20210415