

## ■ Features

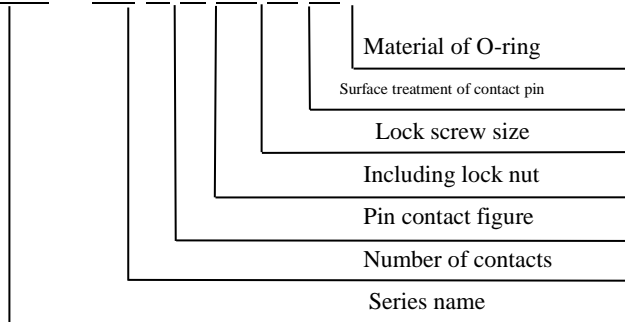
- Through bulkhead type high density D-sub Glass-sealed Hermetic Connector
- Can be used as current transmission terminal for vacuum vessels, pressure vessels, etc.
- Can mate with MIL-DTL-24308 high-density D-sub plug
- High-density type with the same shell size as the standard D-sub and a large number of cores
- Superior airtight ( $1 \times 10^{-9}$  Pa·m<sup>3</sup>/sec or less) with glass sealed

## ■ Structure and Surface treatment

- Flange of shell is groove for O-ring
- Flange of shell is finished surface with nickel plating

## ■ Part Number

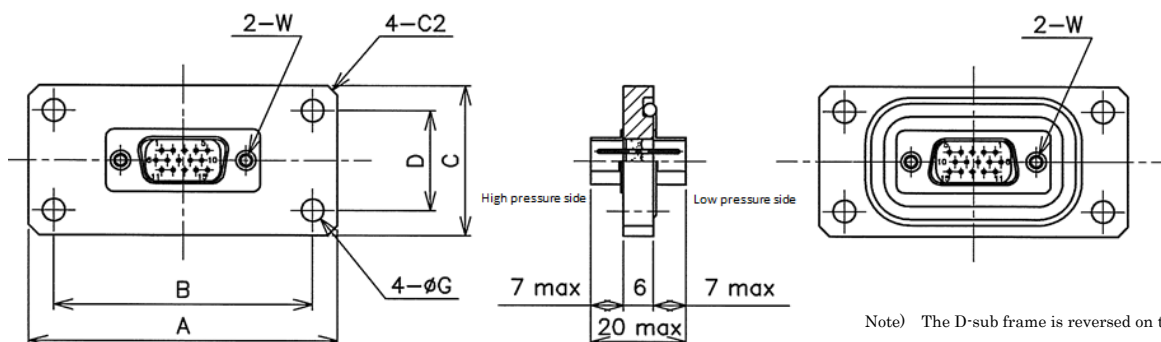
HDB - 15 P L W X Y



W	Lock screw size
U	No.4-40UNC
M	M2.6x0.45

Y	Material of O-ring
1	Silicon
2	Nitrile
3	Fluorine
4	Others

X	Surface treatment of contact pin
1	Nickel plate
2	Gold plate
3	Others



Note) The D-sub frame is reversed on the front and back.  
Please note that at the time of the mating connector wiring

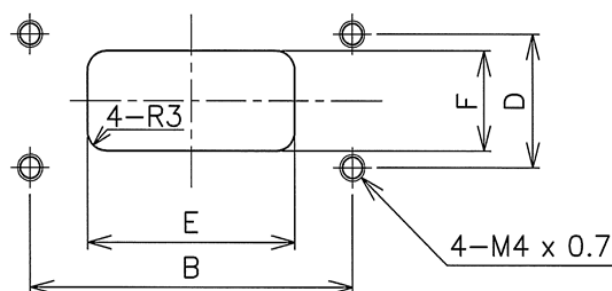
(Unit: mm)

Part number	No. of conductor	A	B	C	D	E	F	φG	W	O-ring size
HDB-15PLWXY	15	61.6	51.6	30	20	33.2	15	4.5	No.4-40UNC or M2.6x0.45	AS568-124

## [Specification]

- 1) Rated current: 1A
- 2) Isolation resistance: 1000MΩ or over (at DC500V)
- 3) Dielectric Withstanding Voltage: AC500Vrms

- Please contact us for custom requirements such as material, mounting dimensions, shape, high pressure specifications, etc.
- Please note that the product specifications are subject to change without notice due to improvements, etc.



Reference dimensions for mounting part