

HMS02 series

Features

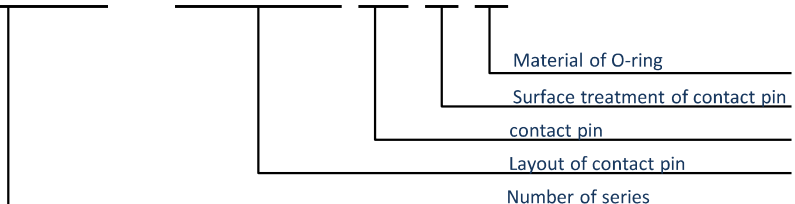
- Complies with MIL-DTL-5015 standard to meet the requirements of compact and high reliability
- It has no practical problem to corrode the metal housing by using Stainless
- It is providing superior airtight(1×10^{-10} Pa m³/sec) with glass sealing(helium gas test)
- HMS02 series are possible to meet requirements heat resistance and vibration resistance , water resistance and water proof under the open sky and hash conditions

structure and surface treatment

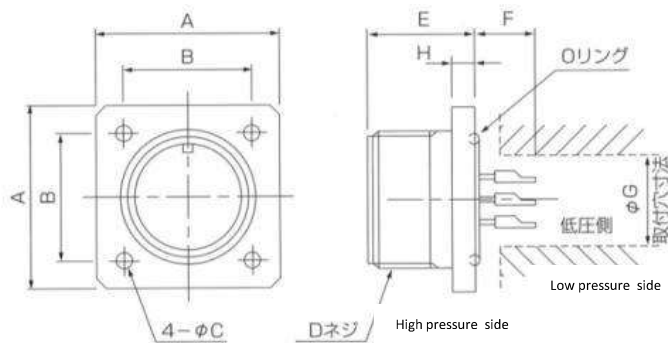
- Flange of metal housing is grooved for O-ring
- Flange of metal housing is finished surface with nickel plating

Parts Number

H M S 0 2 - 2 0 - 2 9 P X Y



X	surface treatment of contact pin	Y	Material of O-ring
1	Nickel plating	1	silicon
2	Gold plating	2	Nitrile
3	others	3	Fluorine
		4	others



characteristic

Insulation Resistance	Over 1000MΩ
Dielectric with standing voltage *	AC500Vrms
Rated Amps	Contact size 8 46A Contact size 12 23A Contact size 16 13A
Contact Resistance	Contact size 8 75mV or less Contact size 12 75mV or less Contact size 16 75mV or less

* Please contact us about high dielectric with standing voltage

Housing size	Part number	A	B	φC	D-screw	E	F	φG	H	O-ring size
12S	HMS02-12S-XXP	27.8	20.7	3.2	0.750-20UNEF	17.1	11	11	2.8	AS568-017
14S	HMS02-14S-XXP	30.2	23.1	3.2	0.875-20UNEF	17.1	11	13	2.8	AS568-019
16	HMS02-16-XXP	32.6	24.7	3.2	1.000-20UNEF	21.9	18	16	3.4	AS568-021
18	HMS02-18-XXP	35.0	27.0	3.2	1.125-18NEF	22.7	17	19	3.7	AS568-023
20	HMS02-20-XXP	38.1	29.4	3.2	1.250-18NEF	22.7	17	23	3.7	AS568-025
22	HMS02-22-XXP	41.3	31.8	3.2	1.375-18NEF	22.7	17	26	3.7	AS568-027
24	HMS02-24-XXP	44.5	35.0	4.2	1.500-18NEF	24.3	15	29	3.7	AS568-029
28	HMS02-28-XXP	50.8	39.7	4.2	1.750-18NS	24.3	15	34	3.7	AS568-030
36	HMS02-36-XXP	63.5	49.3	4.5	2.250-16UN	26.2	13	46	4.0	AS568-034

HMS02 series

CONTACT arrangement

Ray out	12S-3	14S-2	14S-6	16-10
Size	16	16	16	12
number	2	4	6	3
Ray out	18-1	18-11	20-15	20-27
Size	16	12	12	16
number	10	5	7	14
Ray out	20-29	22-2	22-14	24-28
Size	16	8	16	16
number	17	3	19	24
Ray out	28-11	28-21	36-10	
Size	12/16	16	16	
number	4/18	37	48	